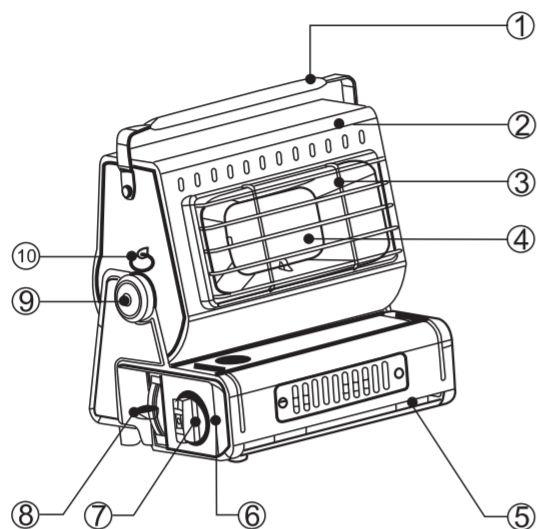


1 The usage scope of heater.

- Camping
- Mountain climbing
- Fishing
- Various outdoor activities

2 Parts of Heater structure.



- | | |
|-----------------|------------------------|
| ① Handle | ⑥ Control Knob Plaque |
| ② Panel | ⑦ Control Knob |
| ③ Wire Frame | ⑧ Gas Cartridge Button |
| ④ Pottery Slate | ⑨ Orientation |
| ⑤ Gas Can Cover | ⑩ Pull Ring |

3 Operation process.

① Put your finger into the bottle cover hole and open it.	② Make sure the control knob is in the 'OFF' position and the pole knob is on the 'RELEASE' position.
③ Use the appointed gas cartridge and place it as the figure illustrates.	④ Press the pole knob to the 'LOCK' position, turning the control knob anti-clockwise. When you hear a click, you can ignite it.
⑤ Pulling out the assistant safety ring.	⑥ Turning the control knob anti-clockwise to ignite, and reposition the ring.
⑦ Turning the control knob clockwise to 'MIN' and anti-clockwise to 'MAX'.	⑧ Turning the control knob to the 'OFF' position to cut off the gas.
⑨ Turning the control knob to 'OFF' and turn the pole knob to 'RELEASE' to remove the bottle.	⑩ After you take out the bottle, there will be some residual gas in the pipe. Please ignite again and then you can turn off the control knob.

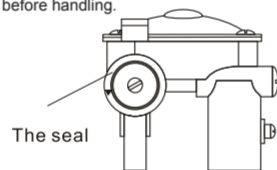
4 When in use.

① Don't use the heater to dry clothing or flammable items as this may cause an accident, such as a fire.	② When you are using the heater, do not cover it with any items or obstruct the heat flow as this may also cause a fire.
③ During, or after the use of the heater, do not touch the hot parts such as the panel wire frame or the pottery slate until the unit has cooled down.	④ Do not use the heater to cook food.
⑤ Do not use the heater in an unventilated room. The lack of ventilation may cause the heater to smoke and catch fire.	⑥ Do not dispose of gas canisters in fire after use as they may explode. Please dispose of the gas canisters responsibly.
⑦ Container groove must be fitted as the above figure illustrates.	

Attention:

- (1) Please finish the ignition process within two seconds. Do not hold the time longer than three seconds as this may cause the gas to leak into the atmosphere.
- (2) Do not leave the gas canister in direct sunlight or in high temperatures as this may cause a build up of pressure in the canister. This pressure may stop the heater from working, resulting in you needing to let the cartridge cool down before continuing use.
- (3) This appliance shall only be used with use 220g butane cartridges, which complies with EN417. It may be hazardous to attempt to fit other types of gas containers.

- (4) During use, or just after use, unit will be extremely hot. Allow to fully cool down before handling.
- (5) Always keep the heater out of reach of children.
- (6) It may be hazardous to attempt to fit other types of gas cartridge.
- (7) Always use in well ventilated areas.
- (8) Do not use if the heater is damaged, has worn seals, or if there are any leaks.
- (9) The heater must be operated on a flat, even surface.
- (10) Keep the heater away from flammable materials.
- (11) Check the seals between the appliance and the gas container are in place and in good condition before connecting to gas container.
- (12) Do not use the appliance which is leaking, damaged or which does not operate properly.
- (13) Gas container shall be changed in a well-ventilated location, preferably outside, away from any sources of ignition, such as naked flames, pilots, electric fires and away from other people.
- (14) If there is a leak on your appliance (smell of gas), take it immediately into a well-ventilated flame free location where the leak may be detected and stopped. If you wish to check for leaks on your appliance, do it outside. Do not try to detect leaks using a flame, use soapy water.
- (15) CAUTION: accessible parts may become very hot. Keep young children away from the appliance.
- (16) Check that the cartridge is empty before changing it (shake to hear the noise made by the liquid).
- (17) Check that burners are extinguished before disconnecting the gas container.
- (18) Check the seals before connecting a new gas container to the appliance.
- (19) Change the gas container outside and away from people.
- (20) Do not modify the appliance.
- (21) Bring the appliance to local detailer for repair.



5 Troubleshooting

PROBLEM	Can not settle gas cartridge	No Gas	Gas leakage	Weak	Firepower Inequality	Can not ignite	Flame out during Using	
Turn control knob to 'OFF'	●							Turn the control knob to 'OFF' and place the gas cartridge in again
Open the pressure safety device		●				●	●	Please refer to the instruction of the pressure safety ring
Control knob will not work		●	●	●		●		Send it for professional repair
Inner pipe blocked		●	●			●		Send it for professional repair
Check gas cartridge is positioned correctly	●	●	●			●		Align the cartridge properly by inserting the cartridge guide tab of the unit into the cartridge slot on the rim of the canister
The burner blocked				●	●	●		Clean with a metal brush
Electronic lighter rusted						●		Clean with a metal brush
No gas		●	●	●	●	●		Change the gas cartridge
Pull out the ignitor ring						●		Pulling out the ignitor ring

Gas consumption: 100g/h
Nominal heat output: 1.3kW

- (1) Please make sure the heater is free from dust and debris, rust or mildew and make sure it is clean and dry before use.
- (2) Put the heater into its case after it has cooled down and store in a cool dry place.
- (3) Always store the heater and gas cartridges separately.
- (4) Do not disassemble the unit.
- (5) The heater should only be repaired by a qualified professional.

INSTRUCTIONS OF THE OUTDOOR HEATER



Thank you for your purchase our product, for your correct and safe to use this product, and keep it in good condition for a long time. Please operate it according to the instruction carefully. Important: Read these instructions for use carefully so as to familiarize yourself with this heater before connecting it to gas.